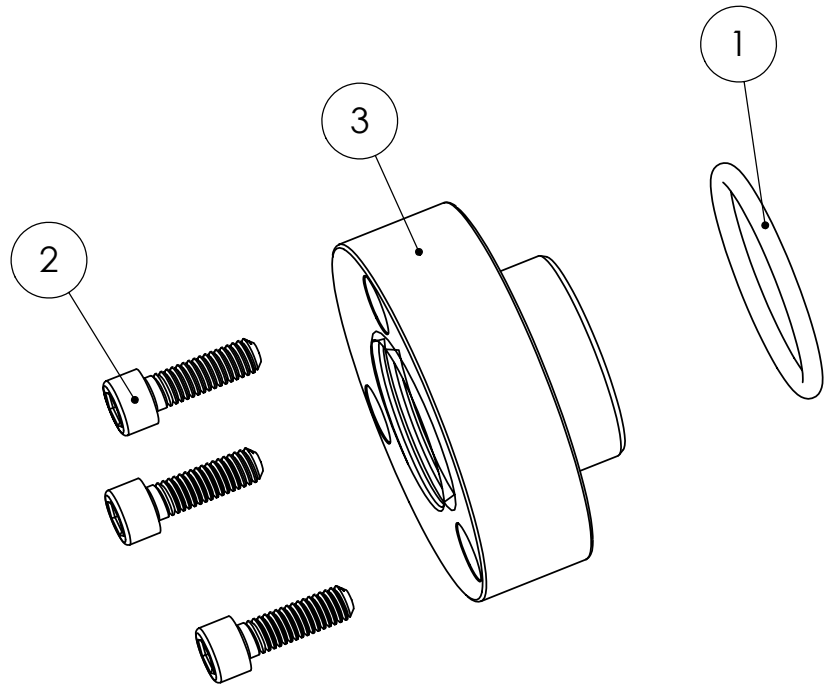


ITEM NO.	PART NUMBER	DESCRIPTION	QTY.
1	122	1-1/8" ID x 1-5/16" OD O-Ring (.103 dia)	1
2	USS-10-32-0625	Stainless 10-32 x 5/8" LONG	3
3	CS-200-007	3/4" NPT Brass Plug	1



SE Seppmann Enterprises

53910 207th Military Road, Mankato, MN. 56001
 507-625-2790 or 1-800-901-3216
 507-625-7519 Fax



TITLE: 3/4" NPT Brass Bushing		
		2/14/2007
SIZE A	DWG. NO. CS-220	REV
WEIGHT:		SHEET 1 OF 1