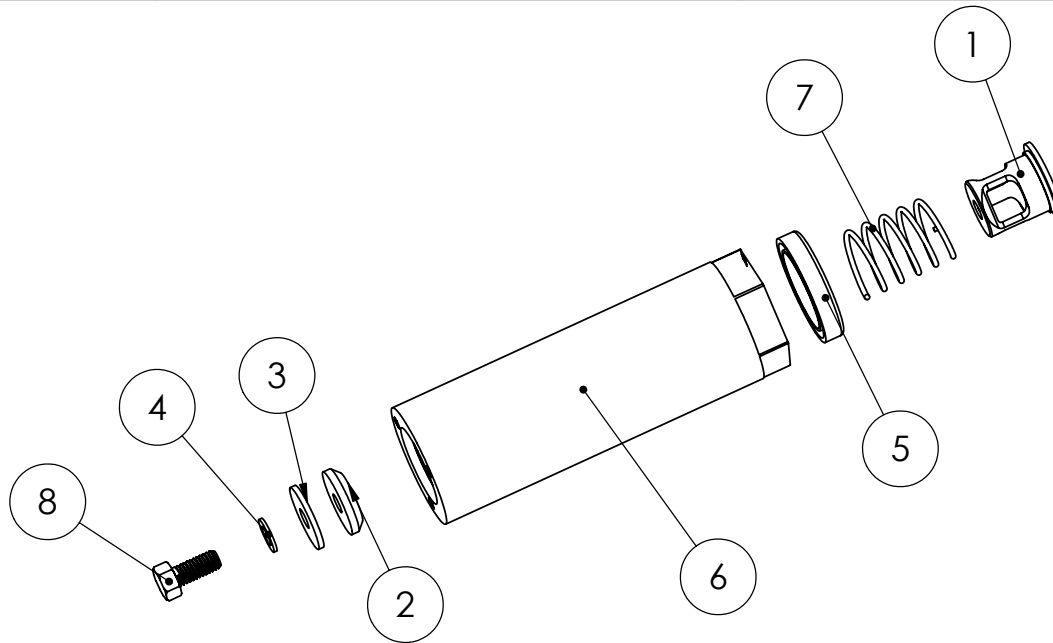


ITEM NO.	PART NUMBER	DESCRIPTION	QTY.
1	CS-200-001	Brass Cage	1
2	SEAL-002	Rubber Seal	1
3	FWCZ-0312-085	Zinc Flat Washer	1
4	SEAL-003	Rubber Flat Washer	1
5	SEAL-001	Rubber Neck Seal	1
6	CS-200-002	1" NPT Brass Check Valve Housing	1
7	CS-200-006	Spring	1
8	SCS0312-18-0750	5/16-18 Stainless Steel Cap Screw 3/4" Long	1



SE Seppmann Enterprises

53910 207th Military Road, Mankato, MN. 56001
507-625-2790 or 1-800-901-3216
507-625-7519 Fax



TITLE:

1" NPT Brass Check Valve Assembly

2/14/2007

SIZE A	DWG. NO. CS-200	REV
WEIGHT:		SHEET 1 OF 1