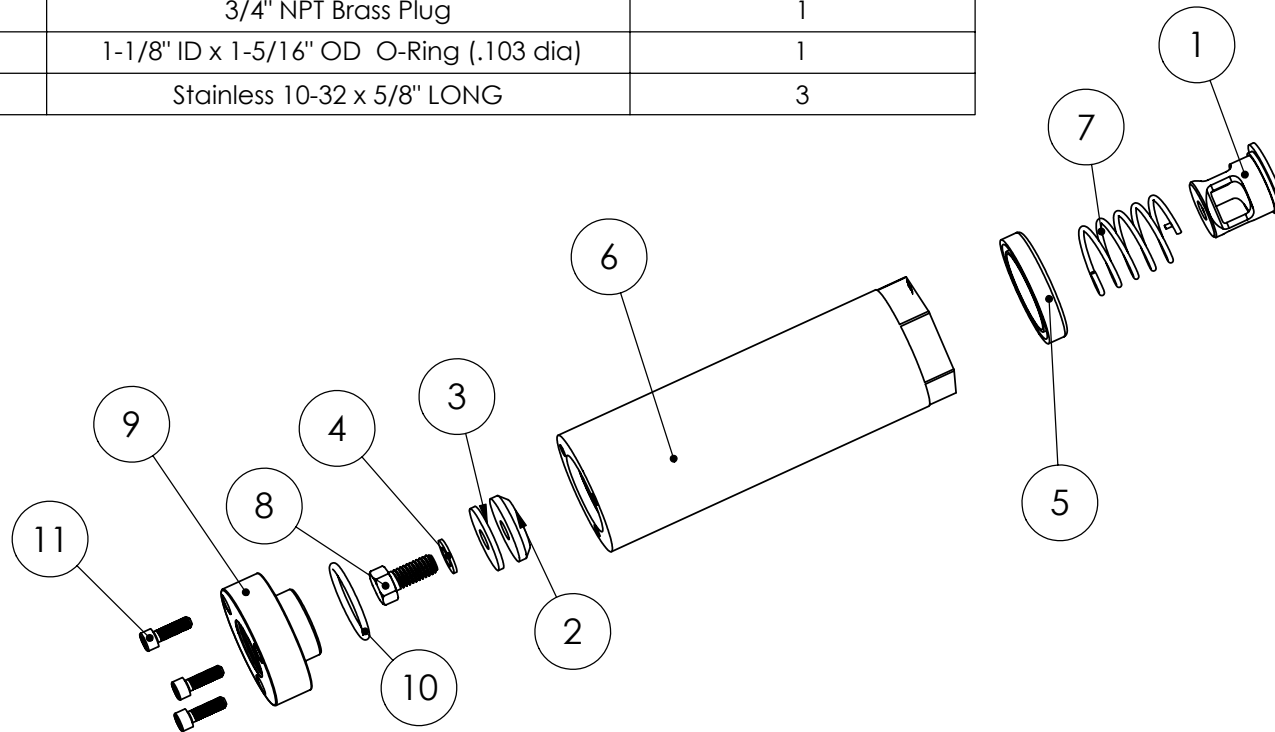


ITEM NO.	PART NUMBER	DESCRIPTION	QTY.
1	CS-200-001	Brass Cage	1
2	SEAL-002	Rubber Seal	1
3	FWCZ-0312-085	Zinc Flat Washer	1
4	SEAL-003	Rubber Flat Washer	1
5	SEAL-001	Rubber Neck Seal	1
6	CS-200-002	1" NPT Brass Check Valve Housing	1
7	CS-200-006	Spring	1
8	SCS0312-18-0750	5/16-18 Stainless Steel Cap Screw 3/4" Long	1
9	CS-200-007	3/4" NPT Brass Plug	1
10	122	1-1/8" ID x 1-5/16" OD O-Ring (.103 dia)	1
11	USS-10-32-0625	Stainless 10-32 x 5/8" LONG	3



SE Seppmann Enterprises

53910 207th Military Road, Mankato, MN. 56001
507-625-2790 or 1-800-901-3216
507-625-7519 Fax



TITLE: 3/4" NPT Brass Check Valve Assembly		
2/14/2007		
SIZE A	DWG. NO. CS-250	REV
WEIGHT:		SHEET 1 OF 1