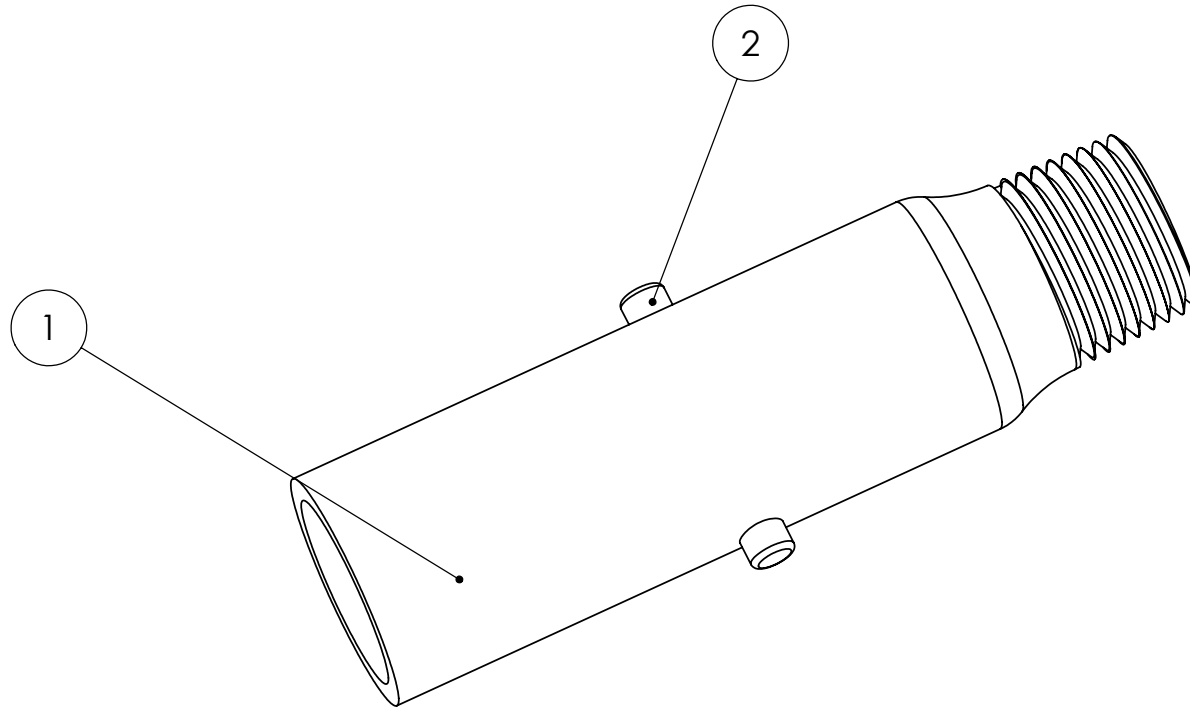


ITEM NO.	PART NUMBER	DESCRIPTION	QTY.
1	CS-200-005	3/4" Red Brass Reducing Nipple	1
2	SDP-0250-1750	Dowel Pin	1



**SE Seppmann Enterprises**

53910 207th Military Road, Mankato, MN. 56001  
 507-625-2790 or 1-800-901-3216  
 507-625-7519 Fax



TITLE:

3/4" Red Brass Disconnect Assembly

2/13/2007

SIZE

**A**

DWG. NO.

CS-201-750

REV

WEIGHT:

SHEET 1 OF 1