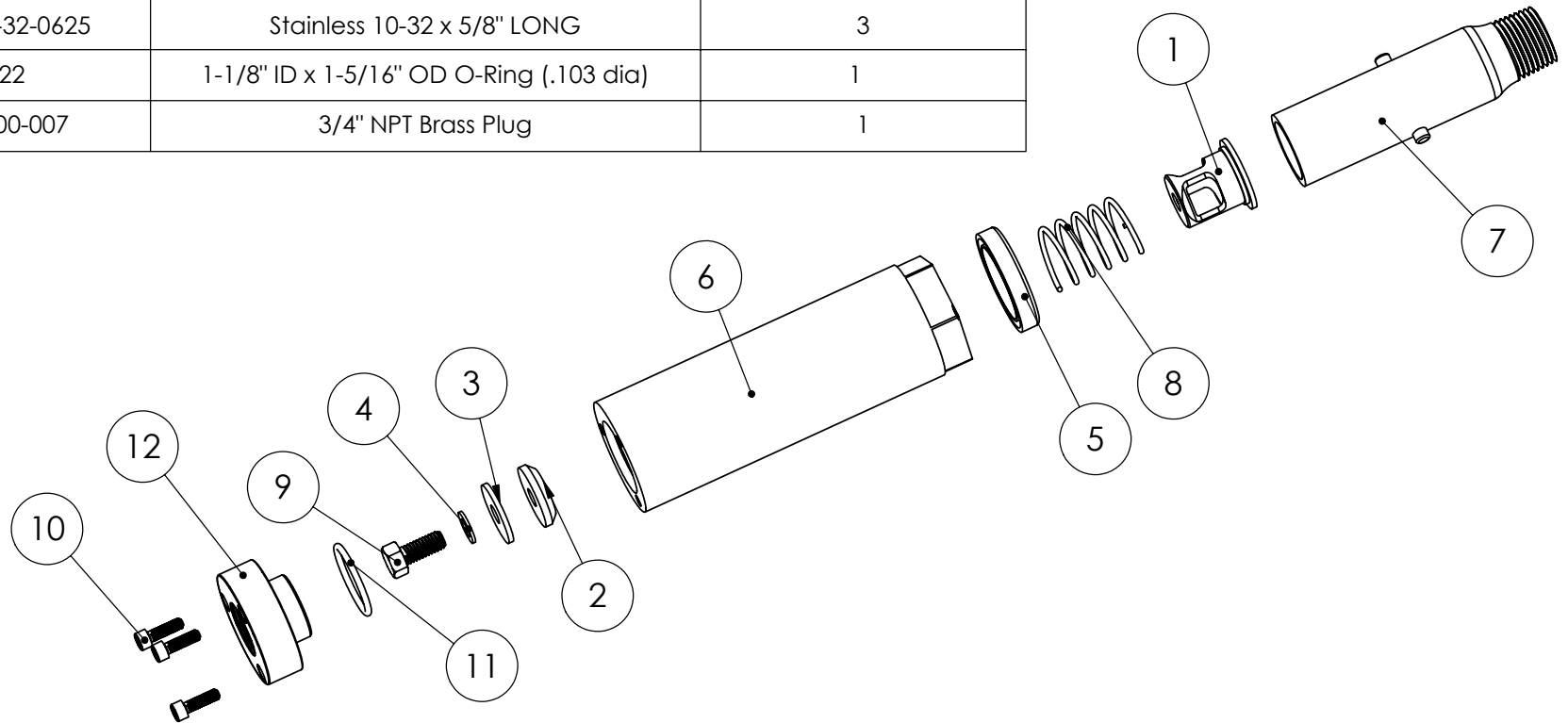


| ITEM NO. | PART NUMBER     | DESCRIPTION                                 | QTY. |
|----------|-----------------|---|------|
| 1        | CS-200-001      | Brass Cage                                  | 1    |
| 2        | SEAL-002        | Rubber Seal                                 | 1    |
| 3        | FWCZ-0312-085   | Zinc Flat Washer                            | 1    |
| 4        | SEAL-003        | Rubber Flat Washer                          | 1    |
| 5        | SEAL-001        | Rubber Neck Seal                            | 1    |
| 6        | CS-200-002      | 1" NPT Brass Check Valve Housing            | 1    |
| 7        | CS-201-750      | 3/4" Red Brass Reducing Nipple              | 1    |
| 8        | CS-200-006      | Spring                                      | 1    |
| 9        | SCS0312-18-0750 | 5/16-18 Stainless Steel Cap Screw 3/4" Long | 1    |
| 10       | USS-10-32-0625  | Stainless 10-32 x 5/8" LONG                 | 3    |
| 11       | 122             | 1-1/8" ID x 1-5/16" OD O-Ring (.103 dia)    | 1    |
| 12       | CS-200-007      | 3/4" NPT Brass Plug                         | 1    |



**SE Seppmann Enterprises**

53910 207th Military Road, Mankato, MN. 56001  
 507-625-2790 or 1-800-901-3216  
 507-625-7519 Fax



TITLE:

3/4" NPT with 3/4" NPT Disconnect

2/14/2007

SIZE  
**A**

DWG. NO.  
CS-250-750

REV

WEIGHT:

SHEET 1 OF 1