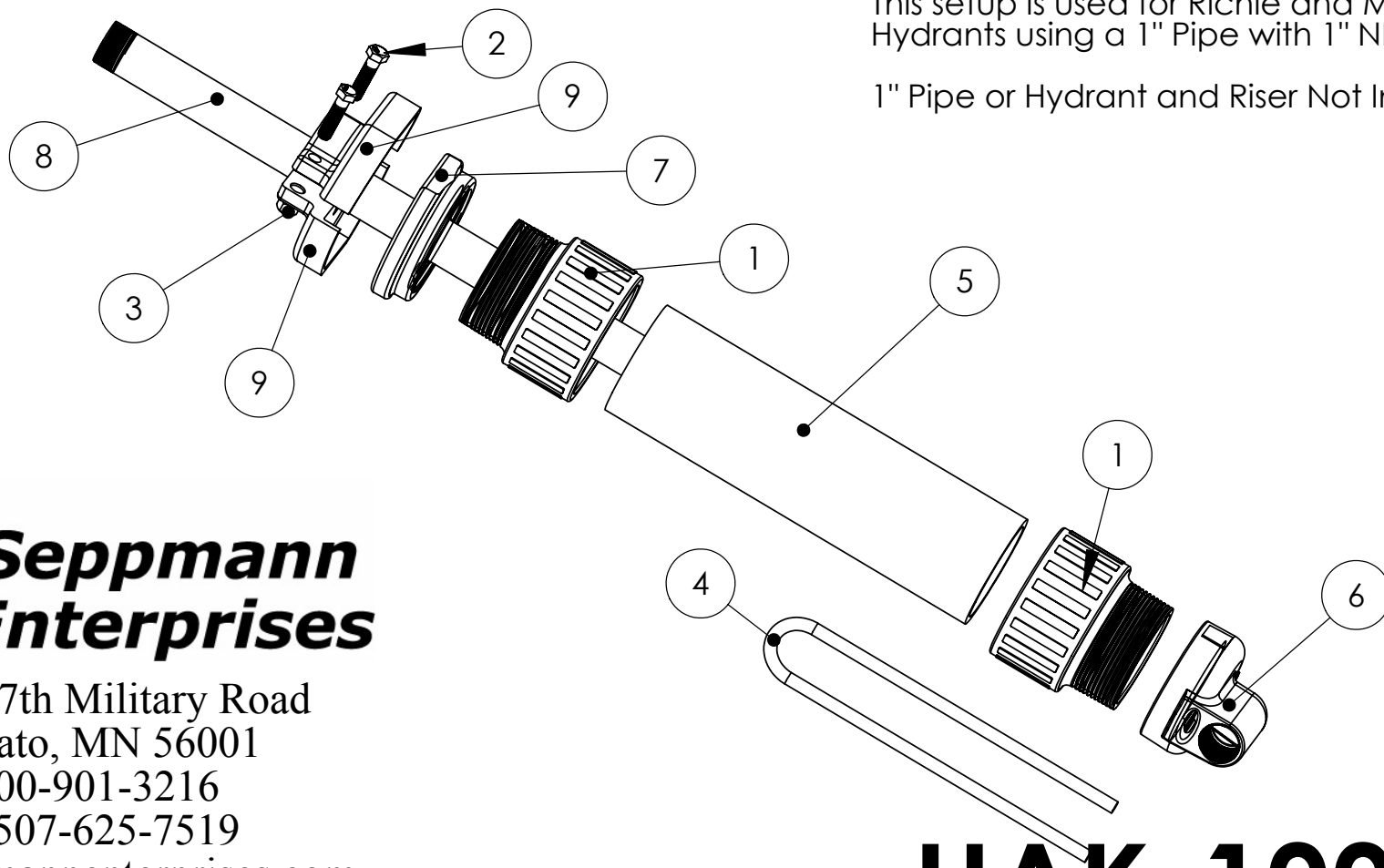


ITEM NO.	PART NUMBER	DESCRIPTION	QTY.
1	CS-100-1	3" Pvc Slip to 3" NPT Male	2
2	SCS0375-16-1500	Cap Screw 3/8-16 by 1.500 long	2
3	SSN-0375-16	3/8-16 Stainless 304 NUT	2
4	CS-100-6	3/8" Stainless Staple	1
5	3000x3500	3" Pipe Plastic or Metal	1
6	CS-100-5	3" Brass Coupler - 1" NPT x 1" NPT	1
7	CS-100-2	3" NPT Top Nut Cast Iron	1
8	1000x96 pipe	1" steel pipe	1
9	CS-100-3-750	3" 2-piece Locking Cap (fits 1" Galvanized Pipe)	2



This setup is used for Richie and Merral (Hi Cap) Hydrants using a 1" Pipe with 1" NPT Female end.

1" Pipe or Hydrant and Riser Not Included.

**SE Seppmann
Enterprises**

53910 207th Military Road
Mankato, MN 56001

1-800-901-3216

Fax 507-625-7519

www.seppmannenterprises.com

HAK-1000-R