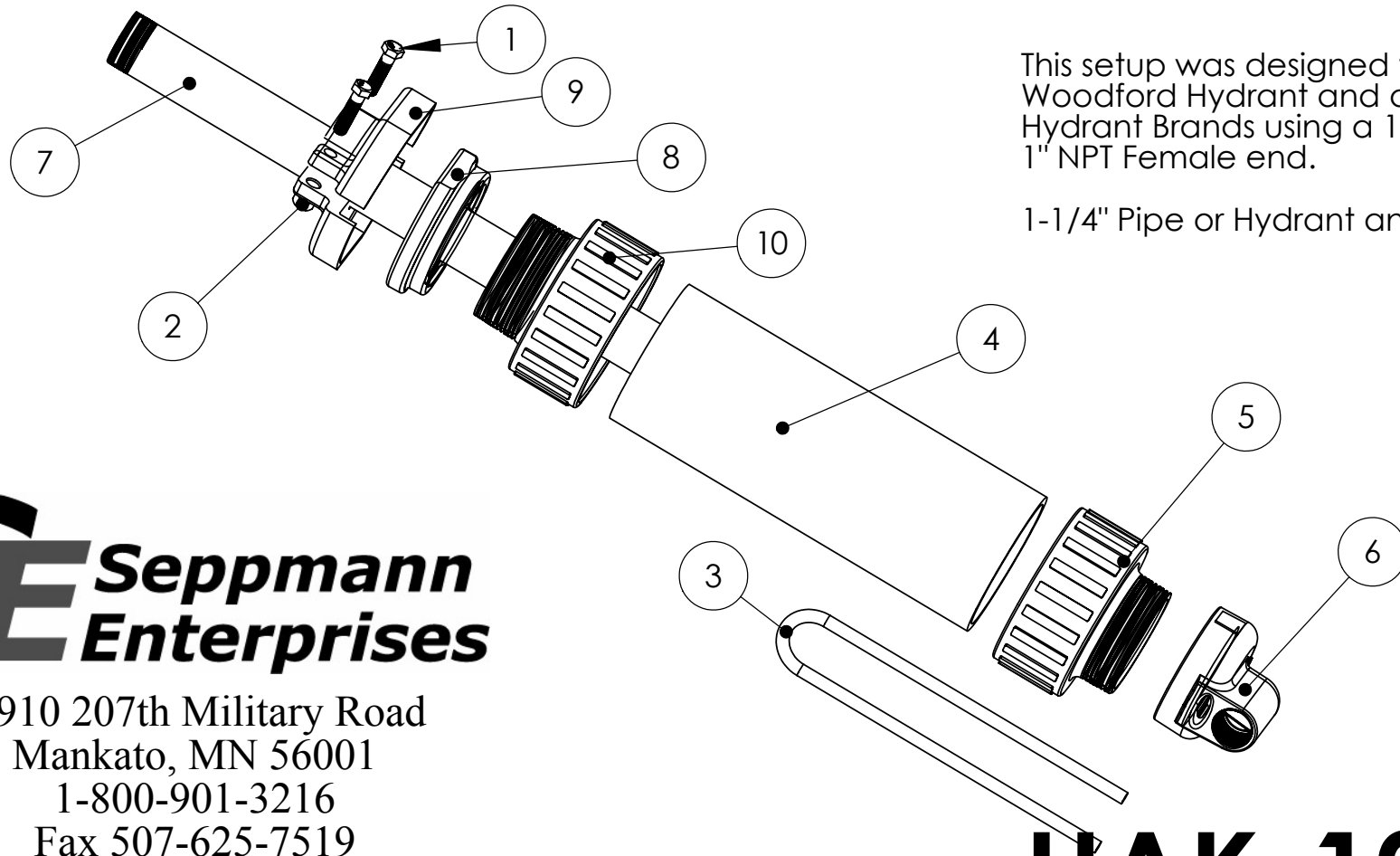


ITEM NO.	PART NUMBER	DESCRIPTION	QTY.
1	SCS0375-16-1500	Cap Screw 3/8-16 by 1.500 long	2
2	SSN-0375-16	3/8-16 Stainless 304 NUT	2
3	CS-100-6	3/8" Stainless Staple	1
4	4000x4500	4" Pipe Plastic or Metal	1
5	CS-100-10	4" Pvc Slip to 3" NPT Male Modified	1
6	CS-100-5	3" Brass Coupler - 1" NPT x 1" NPT	1
7	1250x96 pipe	1.250" steel pipe	1
8	CS-100-2	3" NPT Top Nut Cast Iron	1
9	CS-100-3-1000	3" 2-piece Locking Cap (fits 1-1/4" Galvanized Pipe)	2
10	CS-100-11	4" Pvc Slip to 3" NPT Male	1



This setup was designed to be used with Woodford Hydrant and also used for all Hydrant Brands using a 1-1/4" Pipe with 1" NPT Female end.

1-1/4" Pipe or Hydrant and Riser Not Included.

**SE Seppmann
Enterprises**

53910 207th Military Road
Mankato, MN 56001

1-800-901-3216

Fax 507-625-7519

www.seppmannenterprises.com

HAK-1000-W