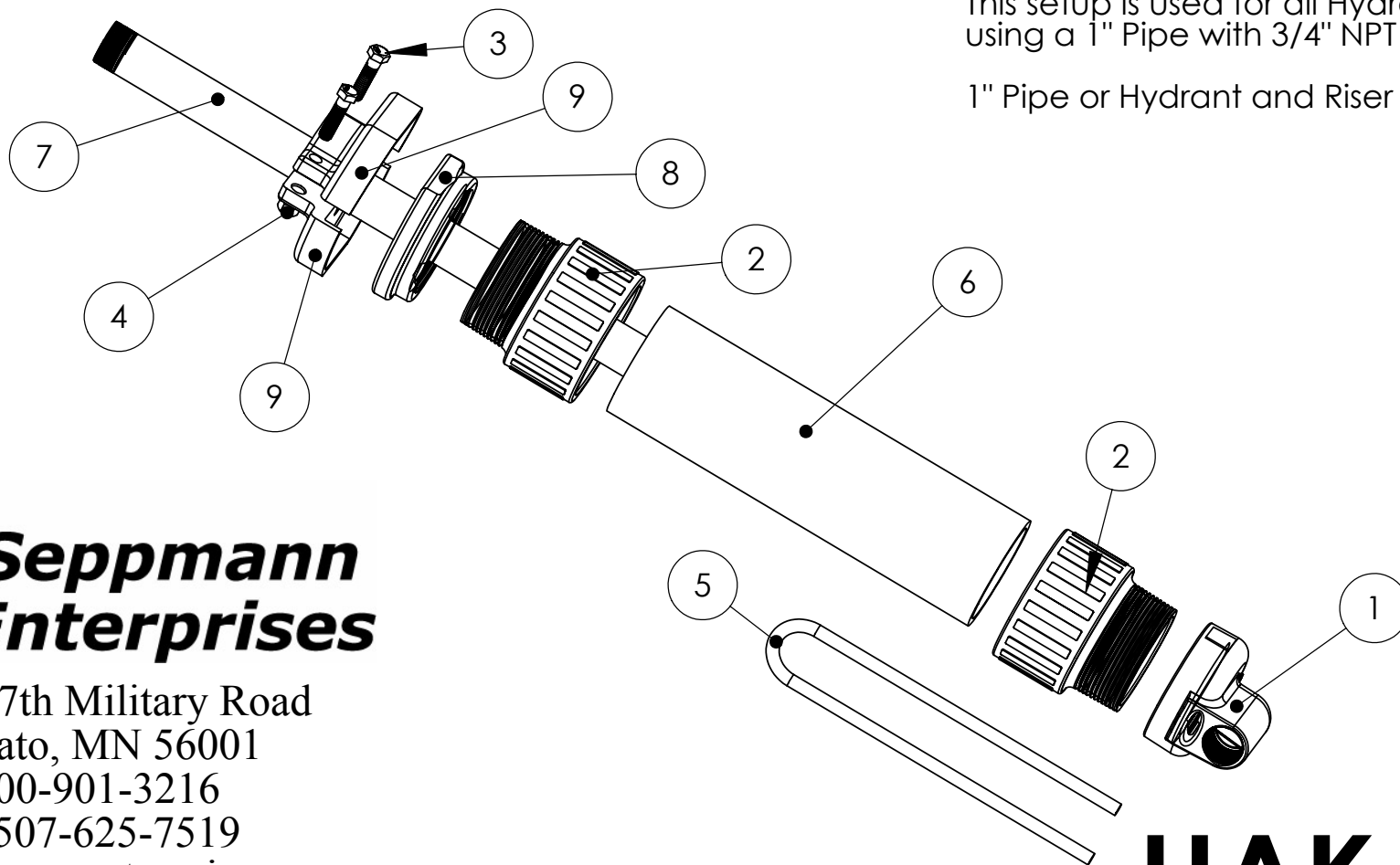


ITEM NO.	PART NUMBER	DESCRIPTION	QTY.
1	CS-100-4	3" Brass Coupler - 1" NPT x 3/4" NPT	1
2	CS-100-1	3" Pvc Slip to 3" NPT Male	2
3	SCS0375-16-1500	Cap Screw 3/8-16 by 1.500 long	2
4	SSN-0375-16	3/8-16 Stainless 304 NUT	2
5	CS-100-6	3/8" Stainless Staple	1
6	3000x3500	3" Pipe Plastic or Metal	1
7	1000x96 pipe	1" steel pipe	1
8	CS-100-2	3" NPT Top Nut Cast Iron	1
9	CS-100-3-750	3" 2-piece Locking Cap (fits 1" Galvanized Pipe)	2



This setup is used for all Hydrant Brands using a 1" Pipe with 3/4" NPT Female end.
1" Pipe or Hydrant and Riser Not Included.

SE Seppmann Enterprises

53910 207th Military Road
Mankato, MN 56001
1-800-901-3216
Fax 507-625-7519

www.seppmannenterprises.com

HAK-750